

HOW WE OPERATE

Our sales team has one point-of-contact with you, the customer. Our sales team works closely with our engineering team, ensuring all process and design requirements are met during the R&D stages. Our engineering team works closely with production, maintaining product requirements throughout all stages of production.

Our engineering team uses state-of-the-art 3D modeling software and 3D printing technology, allowing for a quick turn-a-round time from when an order is placed to first samples.



AIM

MRO



AIM

MRO

**Masking Solutions
For
GE90 Engines**

**AIM MRO
8500 Glendale-Milford Rd
Milford, OH 45111**

**Phone (513) 831-2938
Fax (513) 831-3859
aimmro.com**

SERVICE IS OUR MISSION

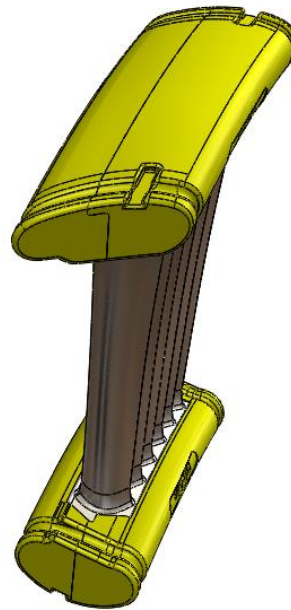


TUMBLE MASKING

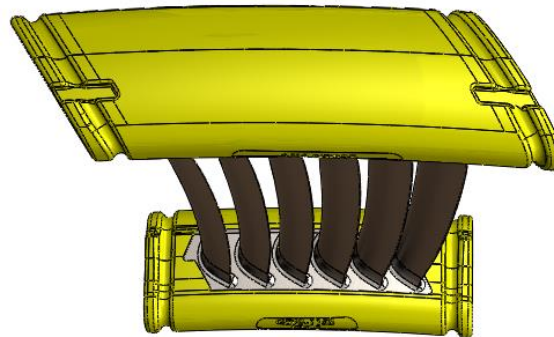
This tumble masking solution is a reusable product that:

- Reduces cost by eliminating expensive tape
- Significantly saves time
- Increases process repeatability
- Provides a safe and comfortable method of handling vanes and blades

Custom masking is available to meet **ANY** requirements. Allow our application and CAD engineers create a mask for any process.



Held in place with o-rings; removal notches on either side of mask.



Press-fits on and protects ID and OD of component.

AIM PART NUMBERS

| <u>AIM #</u> | <u>STG</u> | <u>Nozzle</u> |
|--------------|------------|---------------|
| 07945 | 1 | 94B |
| 07631/07632 | 2 | 94B |
| 07633/07634 | 3 | 94B |
| 07635/07636 | 4 | 94B |
| 07637/07638 | 5 | 94B |
| 07639/07640 | 6 | 94B |
| 07884 | 1 | 115B |
| 07892 | 2 | 115B |
| 07893 | 3 | 115B |
| 07894 | 4 | 115B |
| 07895 | 5 | 115B |
| 07896 | 6 | 115B |

AIM MRO
8500 Glendale-Milford Rd
Milford, OH 45111

Phone (513) 831-2938
Fax (513) 831-3859
aimmro.com